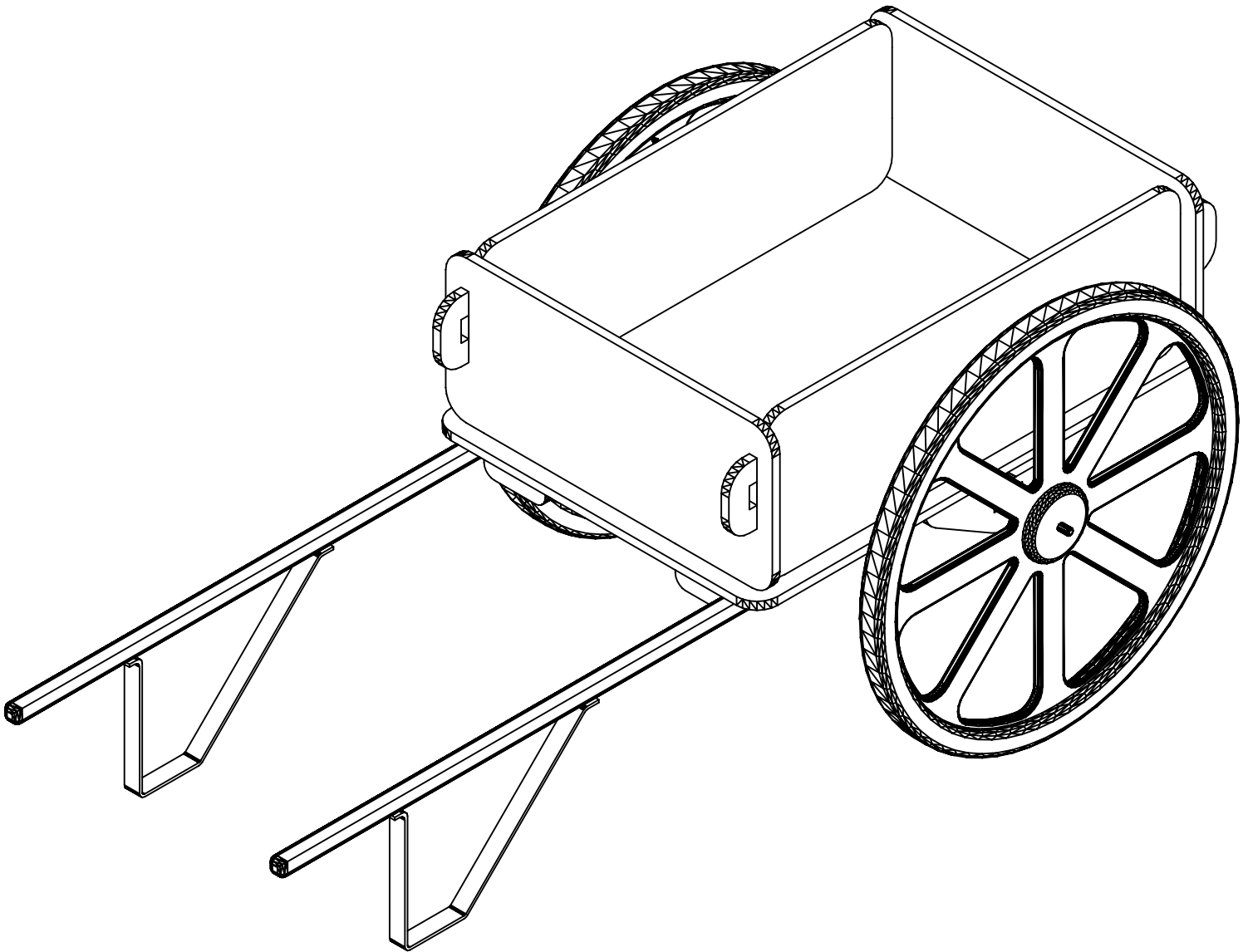


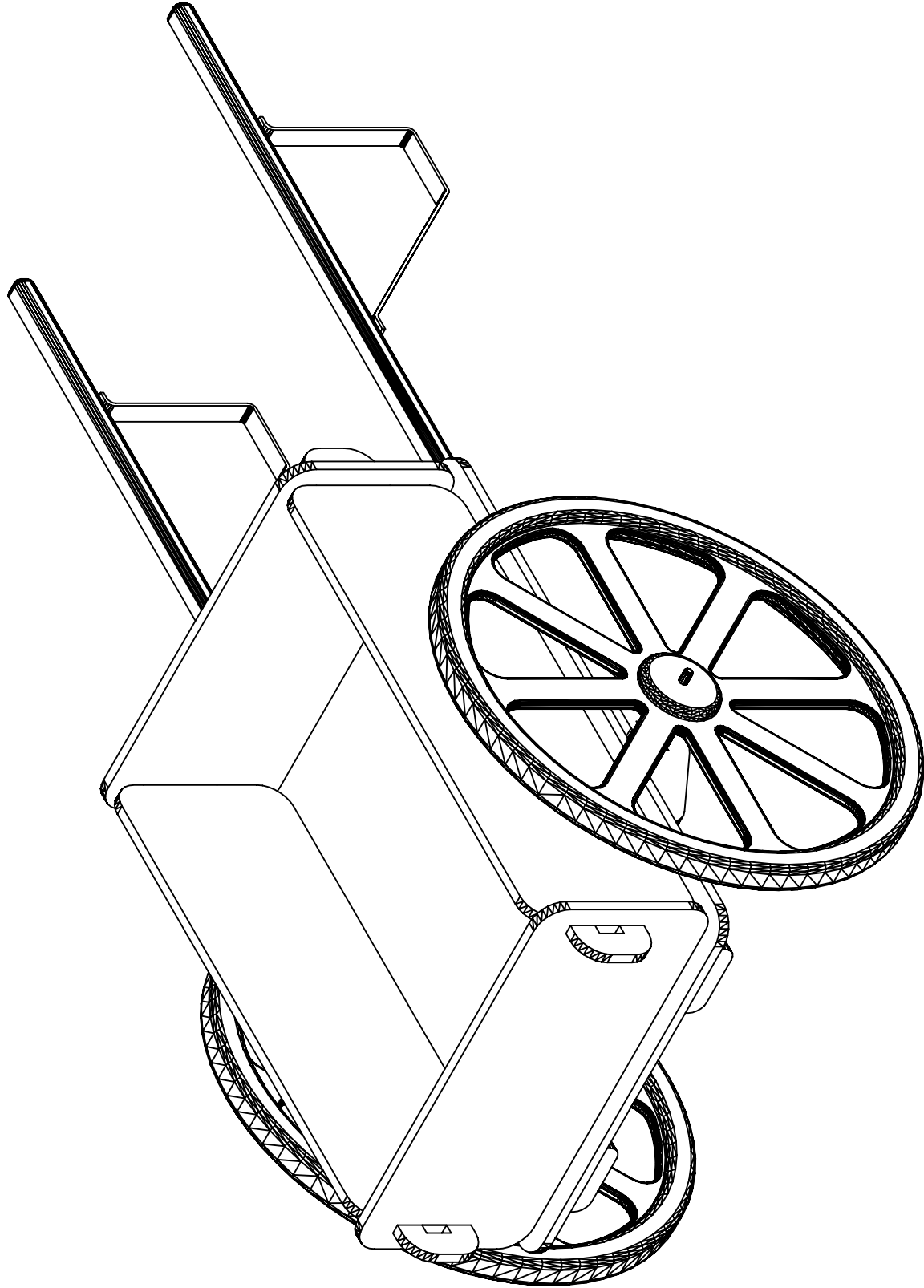
Dog Cart



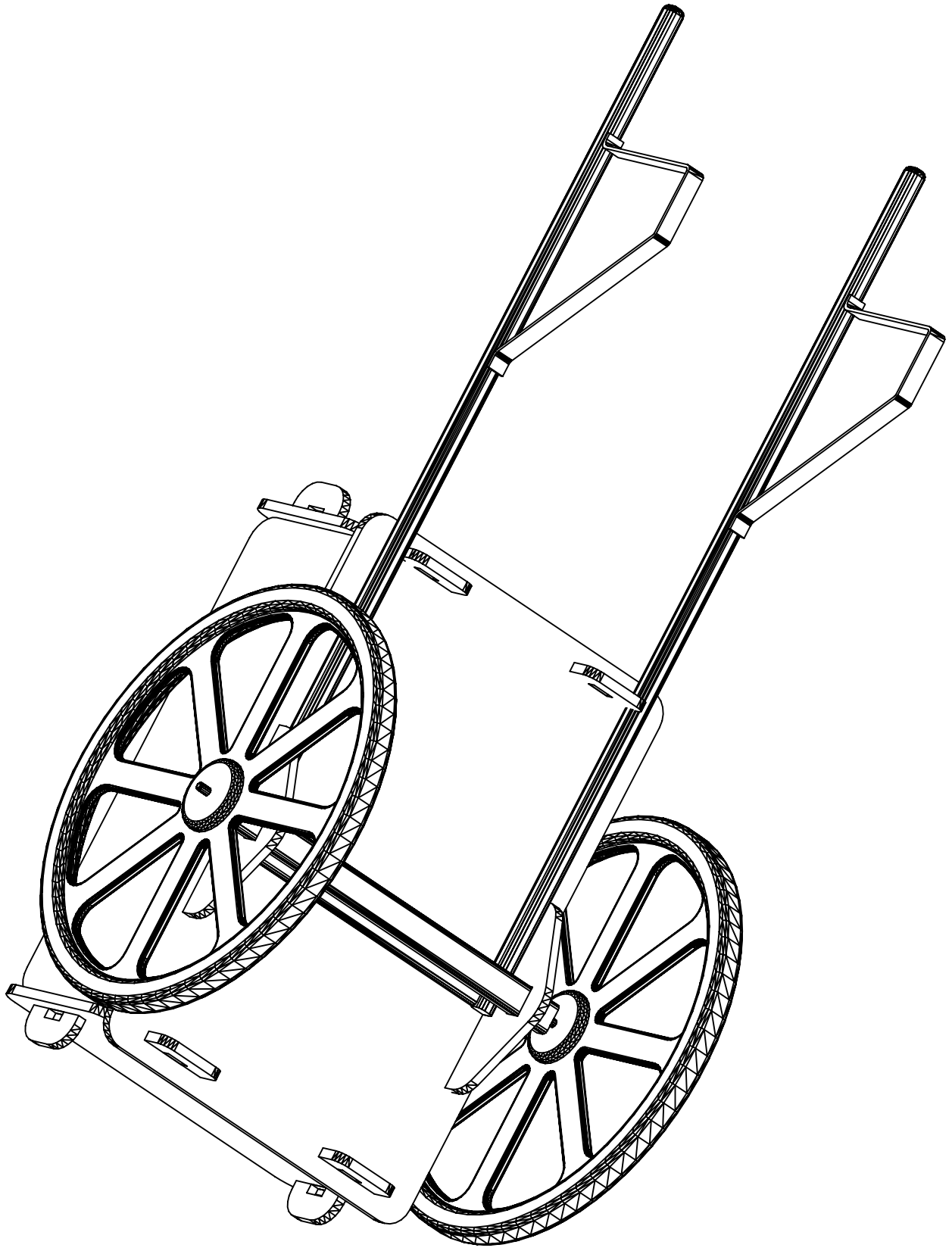
By: Brun Canutesson

mka: Wm. Bryan Fountain

20 March 03



TITLE	3D Model of the 'Dog Cart'		
DESIGNED BY	Ld. Brun Canutesson	DATE	20 Mar 03
DRAWN BY	Wm. Bryan Fountain	SCALE	NTS
		DRAWING NUMBER	1 of 7



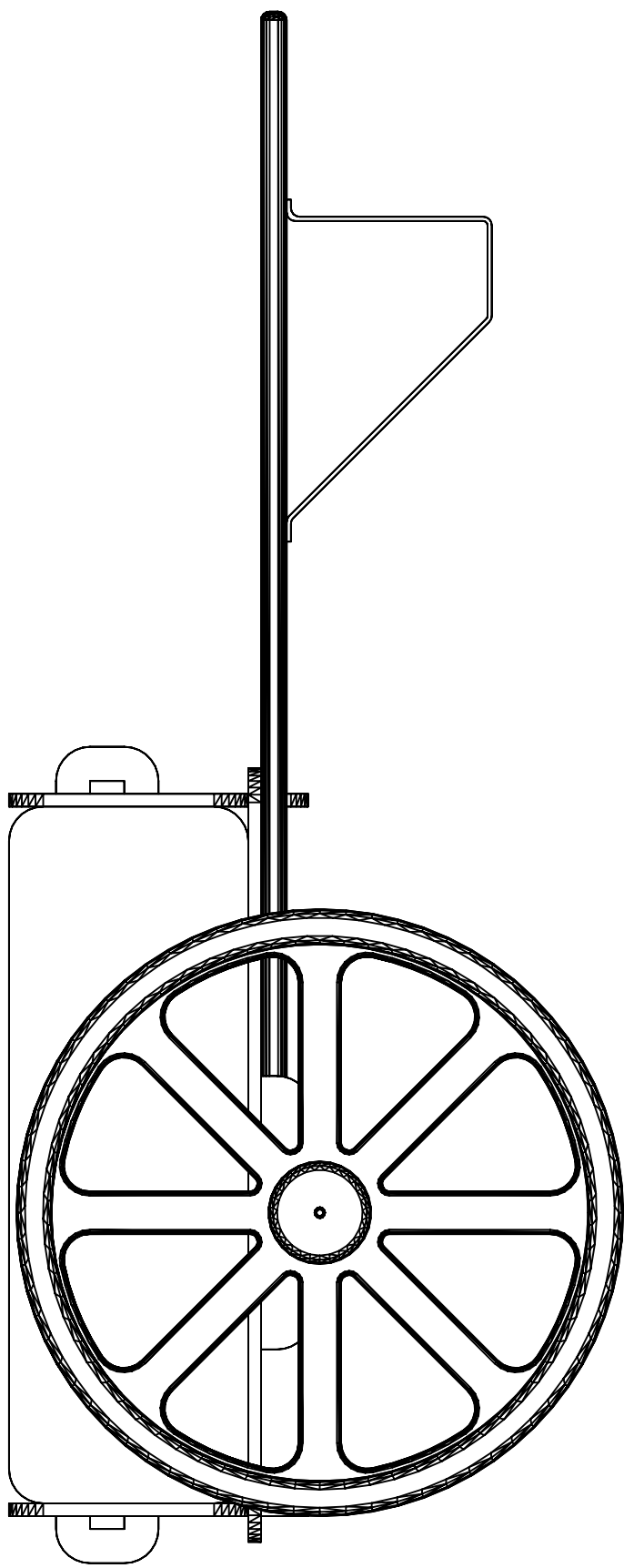
TITLE 3D Model of the 'Dog Cart'

DESIGNED BY Ld. Brun Canutesson

DATE 20 Mar 03

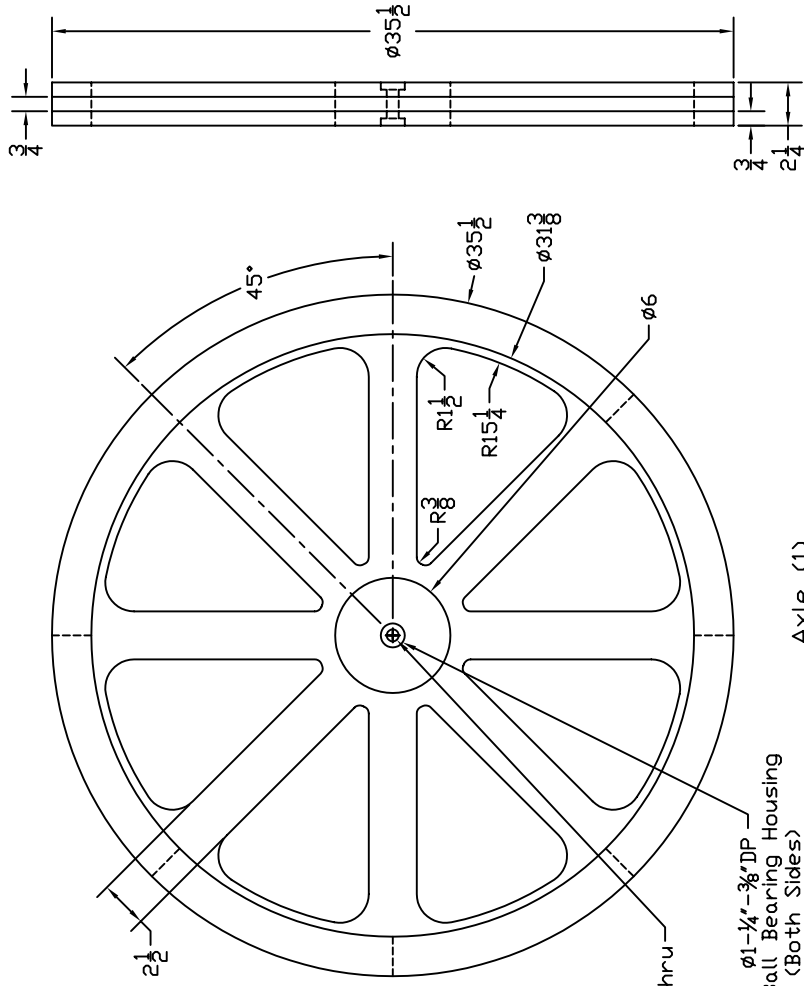
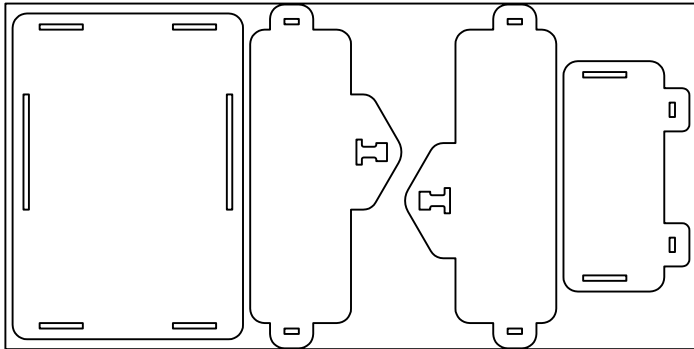
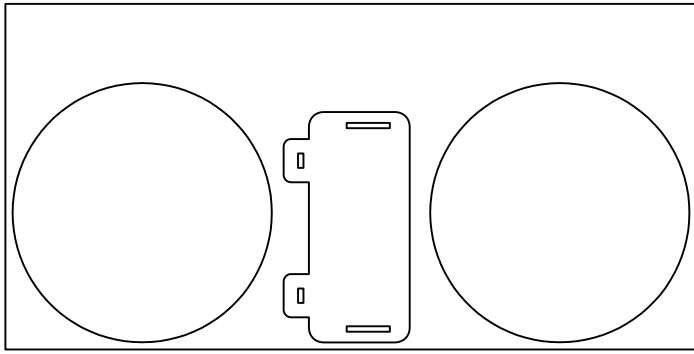
SCALE NTS

DRAWING NUMBER 2 of 7



TITLE		3D Model of the 'Dog Cart'	
DESIGNED BY	DATE	SCALE	
Ld. Brun Canutesson	20 Mar 03	NTS	
DRAWN BY	DRAWING NUMBER		
Wm. Bryan Fountain	3 of 7		

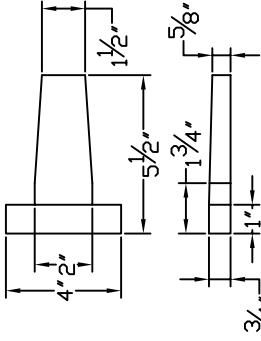




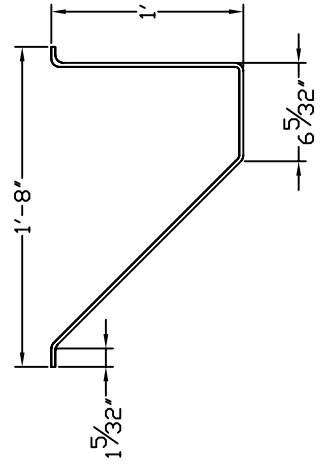
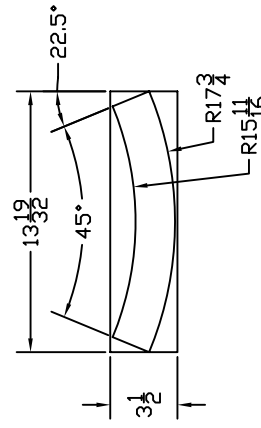
For Ball Bearing Housing
(Both Sides)

Ø1-1/4"-3/8" DP
Ø5/8" Thru

Axle (1)
Scale = 1:10



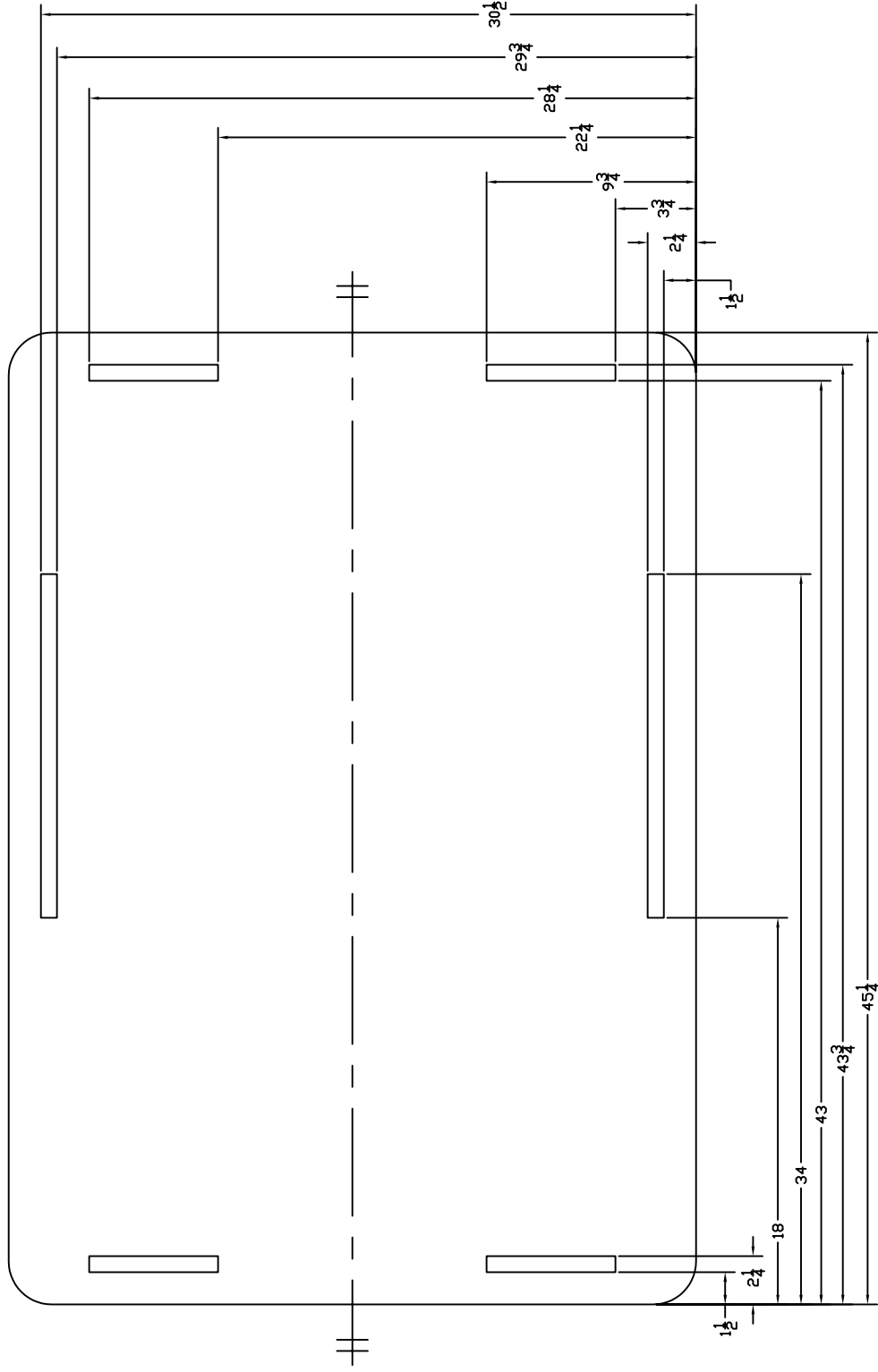
Pegs (8)
Scale = 1:8



Handle Brace (2)
Scale = 1:12

TITLE	Assorted Parts for the 'Jog Cart'		
DESIGNED BY	Ld. Brun Conutesson	DATE	20 Mar 03
DRAWN BY	Wh. Bryan Fountain	SCALE	Varies
		DRAWING NUMBER	4 of 7





Part is to be cut out of
 23/32" exterior grade plywood.
 All edges are to be eased with
 a 3/16" cove router bit.

TITLE		Bottom for the 'Jlog Cart'	
DESIGNED BY	DATE	SCALE	
Ld. Brun Canutesson	20 Mar 03	1:1	1:12
DRAWN BY	DRAWING NUMBER		
WM. BRYAN FOUNTAIN	5 of 7		





TITLE Front, Back & Sides for the 'Dog Cart'

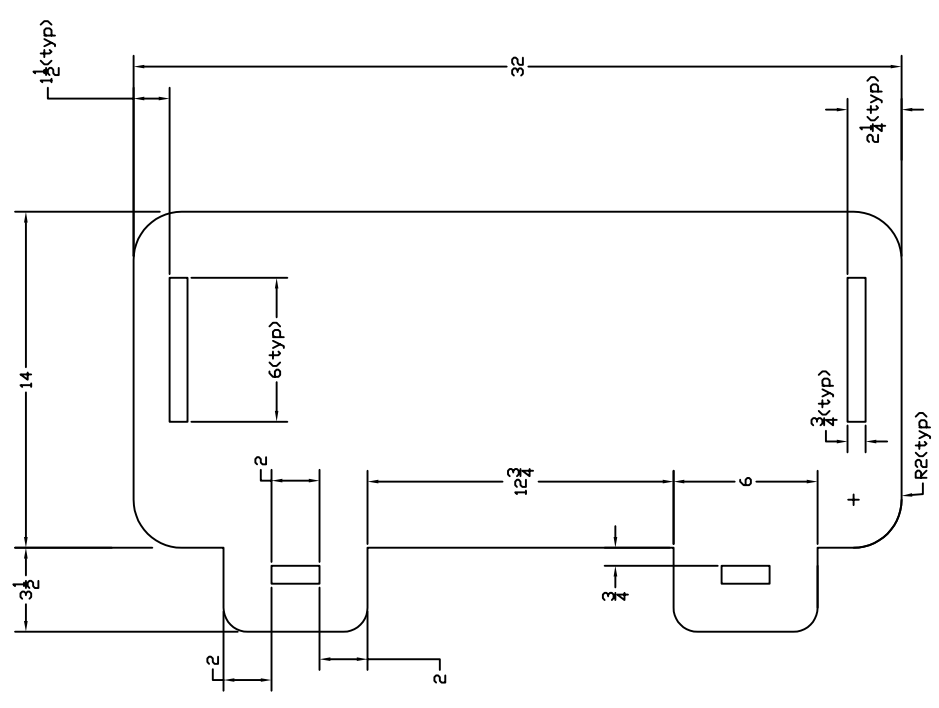
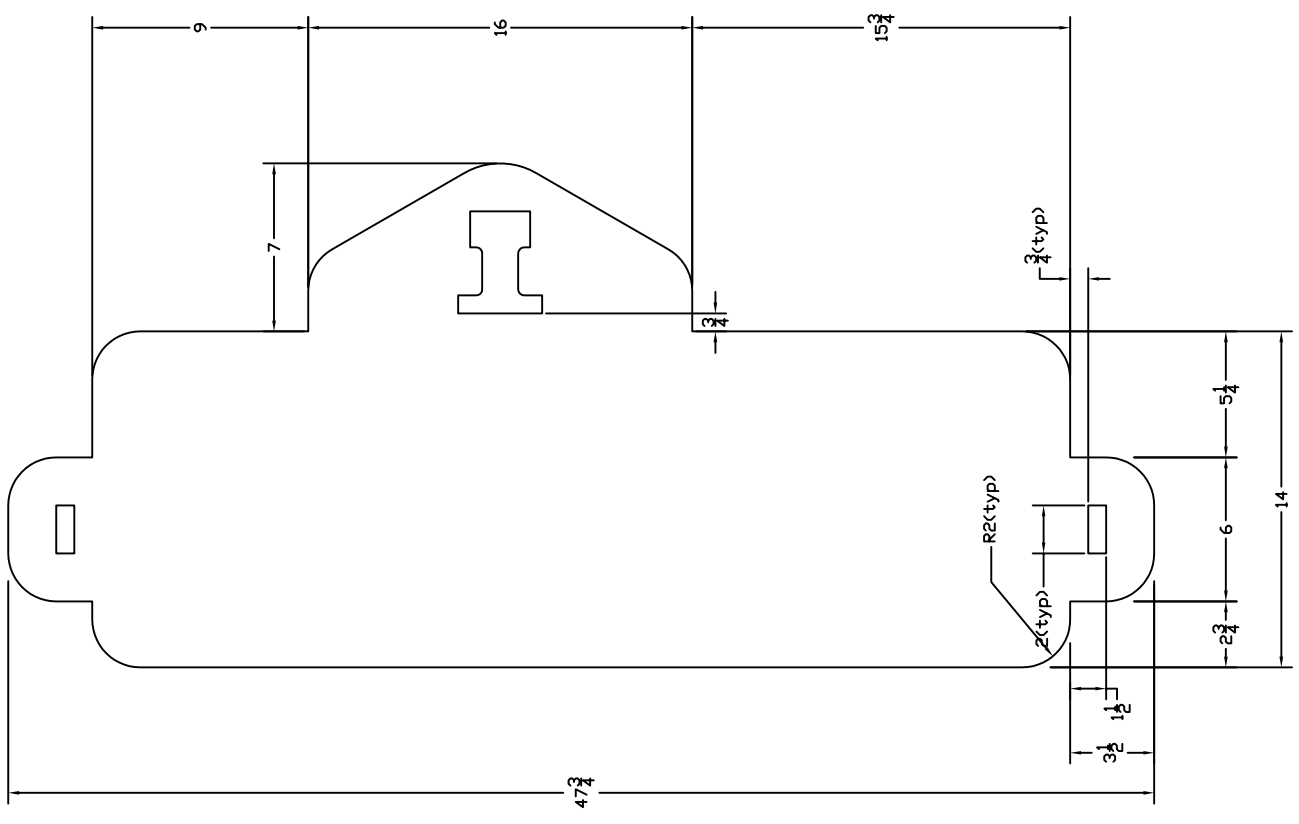
DESIGNED BY Ld. Brun Comutesson

DATE 20 Mar 03 SCALE 18

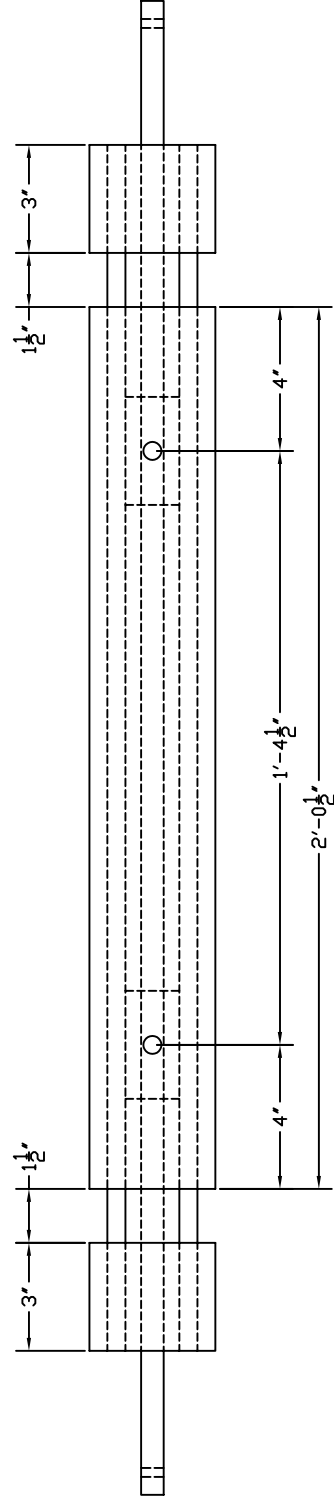
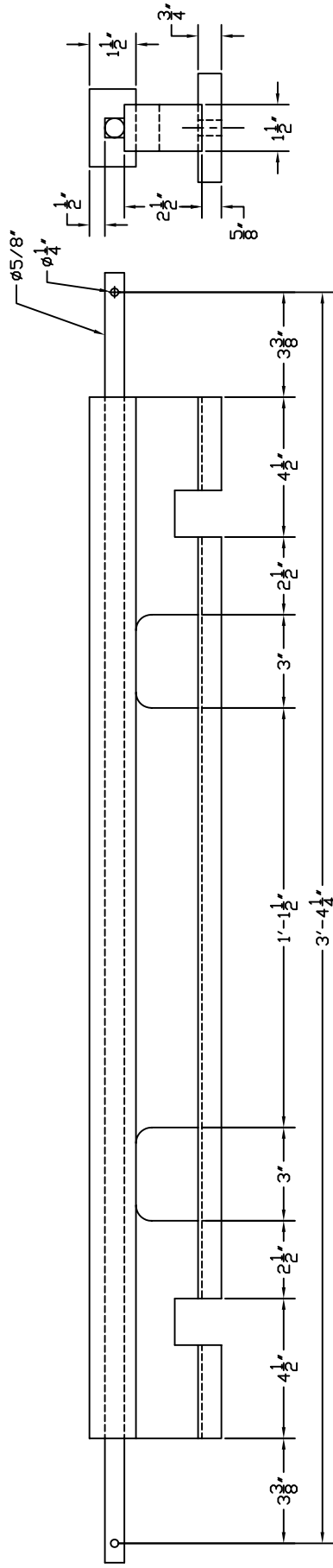
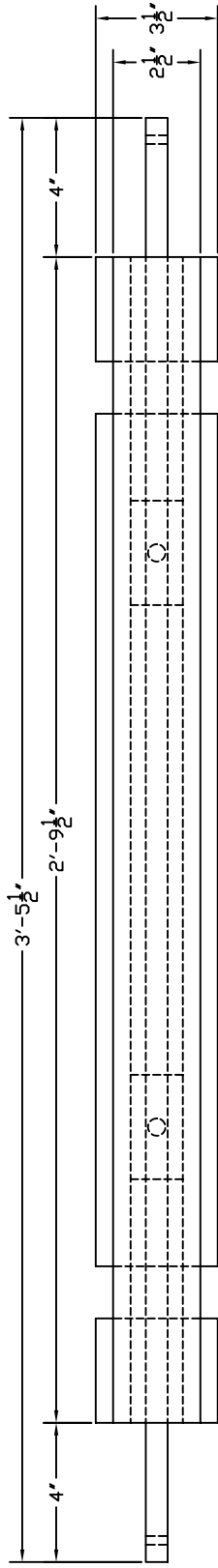
DRAWN BY WM. BRYAN FOUNTAIN DRAWING NUMBER 6 of 7

Sides (2)

All parts are to be cut out of 23/32" exterior grade plywood. All edges are to be eased with a 3/16" cope router bit.



Front & Back (2)



TITLE		Axle Housing for the 'Dog Cart'	
DESIGNED BY	DATE	SCALE	3/16" = 1"
Ld Brun Conutesson	20 Mar 03		
DRAWN BY	DRIVING NUMBER	7 of 7	
Wh. Bryan Fountain			

